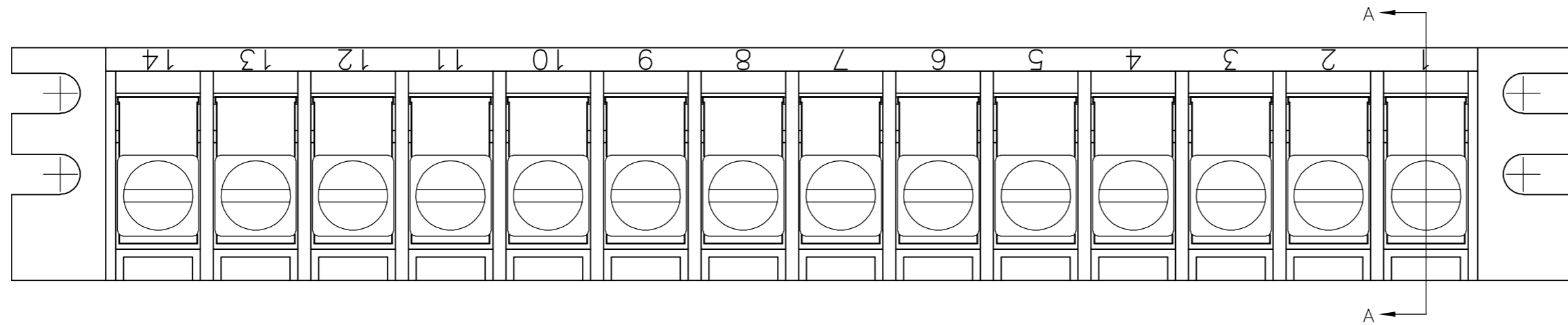
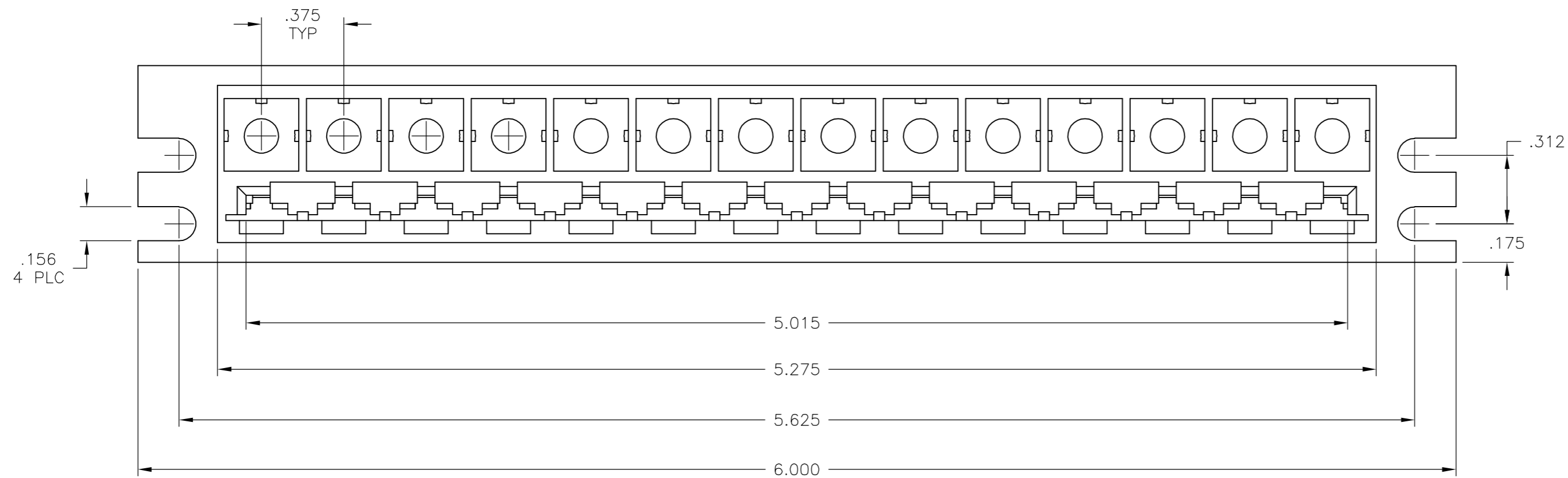
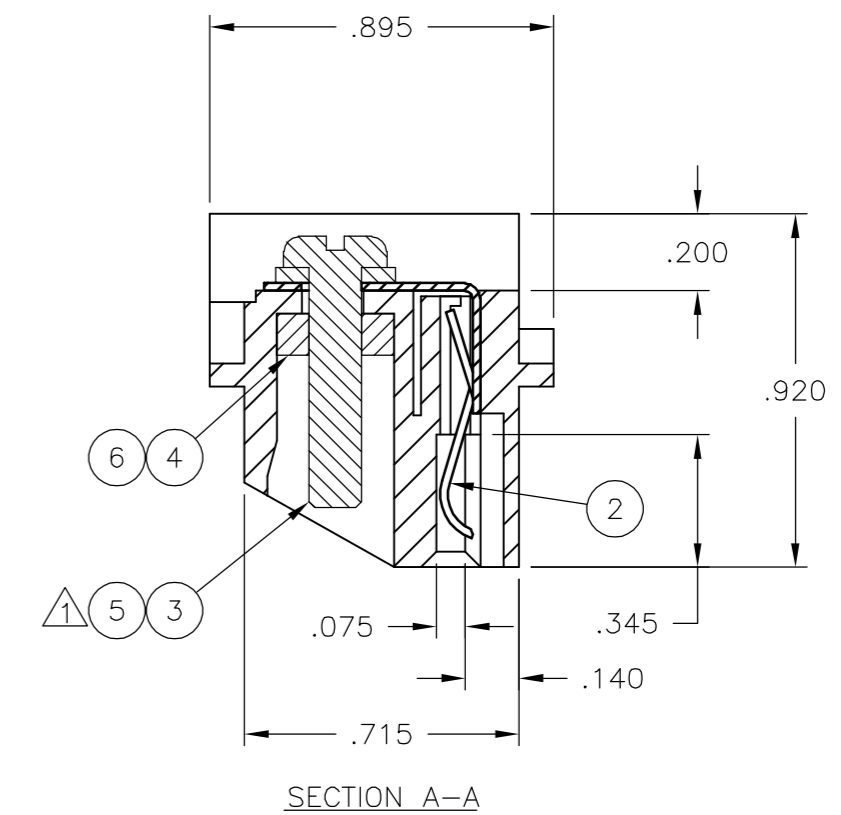
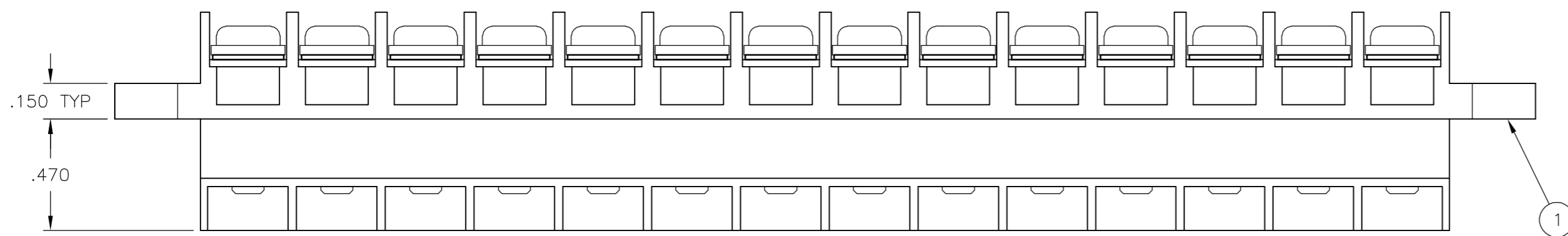


THIS DRAWING IS UNPUBLISHED. RELEASED FOR PUBLICATION  
 © COPYRIGHT BY TYCO ELECTRONICS CORPORATION. ALL RIGHTS RESERVED.

LOC	DIST	REVISIONS			
P	LTR	DESCRIPTION	DATE	DWN	APVD
FT	0	M	REVISED PER ECO-07-004106	2/21/07	SS DC



1. MAX ALLOWABLE BOW .003 PER INCH OF HOUSING..
2. 1-380960-0 IS ALLOWED TO USE ITEM 6 AS SUBSTITUTE FOR ITEM 4.



QTY	DESCRIPTION	MATERIAL	ITEM NO.
6	NUT	6-32, STEEL, ZINC NON-HEXAVALENT	6
5	CLAMP ASSY	6-32, STEEL, GOLD FLASH	5
4	NUT	6-32, STEEL, ZINC HEXAVALENT	4
3	CLAMP ASSY	6-32, STEEL, ZINC HEXAVALENT	3
2	CONTACT	.020 PH BRZ, GOLD	2
1	HOUSING	POLYCARBONATE, GRAY	1
-10		MATERIAL	
-1		DESCRIPTION	
		ITEM NO.	

THIS DRAWING IS A CONTROLLED DOCUMENT.

DWN	S SCHLEGEL	8/21/06
CHK	D COURS	8/21/06
APVD	D COURS	8/21/06
PRODUCT SPEC		
APPLICATION SPEC		
WEIGHT	-	
CUSTOMER DRAWING		

**tyco Electronics** Tyco Electronics Corporation  
Harrisburg, PA 17105-3608

NAME: **EDGE CONNECTOR ASSY 14 CIRCUIT MULTI-TAP**

SIZE	CAGE CODE	DRAWING NO	RESTRICTED TO
A2	00779	C=380960	-
SCALE	SHEET	REV	
2:1	1 of 1	M	